



**WEIHAO**

**Anping County Weihao Metal Mesh Products Co., Ltd.**

*CONCERTINA RAZOR WIRE  
BROCHURE*



WEIHAO

CONCERTINA RAZOR WIRE

# COMPANY PROFILE

Anping County Weihao Metal Mesh Products Co., Ltd. is a manufacturer and trading company of razor wire, barbed wire and other metal products, which is located in Hebei Province, China.

## International Quality Control

- ISO 9001-2015 International Quality Management System Certification
- ISO 14001 Environmental Management System Certification
- CE Certification
- BV Certification

## ERP Management System

Anping County Weihao Metal Mesh Products Co., Ltd. adopts the advanced ERP Management System, which can be with effective cost control, risk control, optimization and change the traditional processes and improve the operating efficiency, the full realization of "collaboration", "Quick Service" and "Agile Handling".

## Main Products

Anping County Weihao Metal Mesh Products Co., Ltd. have converged a large number of international trade, metal manufacturing, E-marketing experts.

At present, we produce and design products of razor wires, barbed wires, chain link fences and wall spikes for agricultural, commercial and industrial applications which are exported to America, Australia, New Zealand, Germany, Chile and other countries.

**Aim:** Offer qualified products to our customers

**Concept:** Help Chinese manufacturing boom and let WEIHAO manufacturing spread worldwide!

# CONTENTS

■ RAZOR WIRE .....	P.03
■ MATERIALS .....	P.04
■ PRODUCTION LINE .....	P.05
■ BLADE TYPES .....	P.07
■ RAZOR WIRE TYPES .....	P.13
■ QUALITY CONTROL .....	P.18
■ PACKAGE & LOADING .....	P.19
■ INSTALLATION .....	P.22
■ APPLICATION .....	P.25
■ CUSTOMER COMMENTS .....	P.26



WEIHAO

CONCERTINA RAZOR WIRE

# RAZOR WIRE

**Razor wire**, also called barbed tape, is easy to install and acts as a visual deterrent as well as a physical barrier, which is extremely difficult to climb. It is made of galvanized or stainless steel materials for different environments and security grade.

The razor tape is particularly difficult to crush or trample and is almost impossible to cut without specialized tools – and even then, it is a slow and dangerous job.

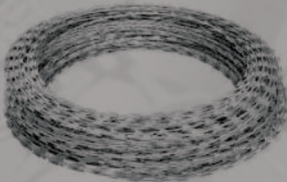


It is regarded as a highly-effective and economical additional barrier to your security fencing system. It is popular in military sites, the national border, governments, commercial buildings and private residences.



# MATERIALS

Both blades and core wire of razor wire is manufactured in galvanized or stainless steel, which can prevent the blades rusting and becoming blunt and maximally extend service life and performance.

There are three main material combination, you can choose them as your requirements.

<p><b>Most durable</b></p>	<p>Blade – Stainless Steel Plate Core Wire – Stainless Steel Wire</p>	
<p><b>Medium Grade</b></p>	<p>Blade – Stainless Steel Plate Core Wire – Galvanized Wire</p>	
<p><b>Most economical</b></p>	<p>Blade – Galvanized Steel Plate Core Wire – Galvanized Steel Wire</p>	
<p><b>Colorful</b></p>	<p>Blade – Powder Coating Steel Plate Core Wire – Powder Coating Steel Wire</p>	



WEIHAO

CONCERTINA RAZOR WIRE

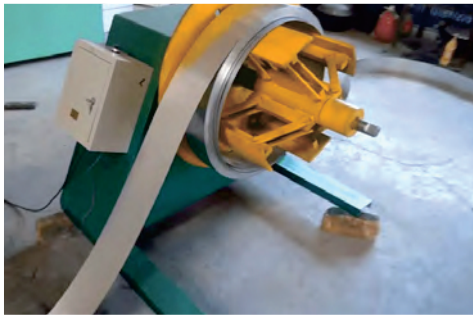
# PRODUCTION LINE

Punch the galvanized or stainless steel steel tape into different shapes and sizes blades. And the steel blade is cold crimped tightly to the wire.

## Galvanized/Stainless Steel Razor Wire

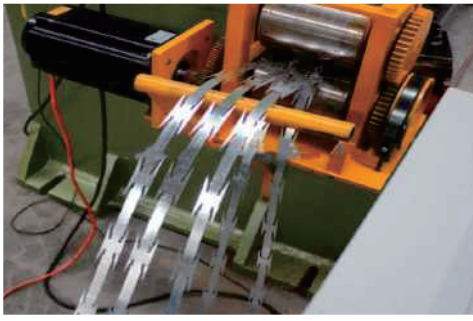
1

Raw Material



2

Punching



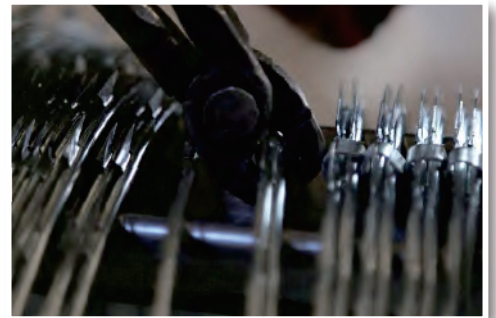
3

Forming



4

Assembly



5

Package



# PVC Coating Concertina Wire

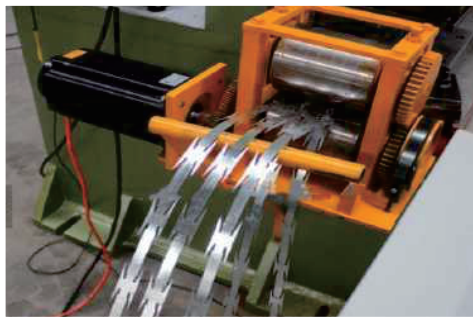
1

Raw Material



2

Punching



3

Forming



4

Assembly



5

Powder Coating



6

Package





WEIHA

CONCERTINA RAZOR WIRE

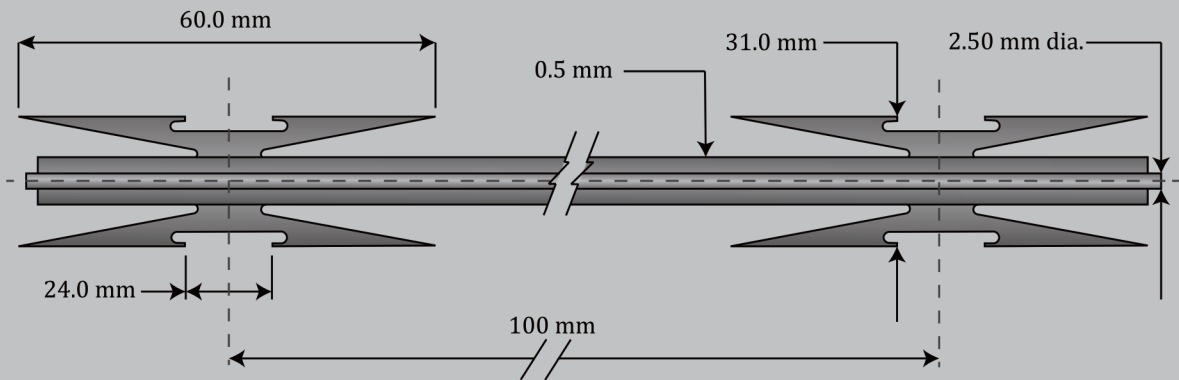
# BLADE TYPES

Barbed tape can be divided into two main blade series: Concertina Barbed Tape (CBT) and Barbed Tape Obstacle (BTO).

And Five main and popular types are also recognized as fish hook blade, tear blade, long blade, medium blade and short blade.

## Fish-Hook Blade (CBT-60)

Fish-hook blade is the metal in the middle that has gone through the most gyrations. All hooks have an eye to tie your line to, a sharp tip to pierce the fish's mouth and a barb to hold it in place. Although there are a wide variety of innovations in point design, it's the shank & the bend that have changed the most.

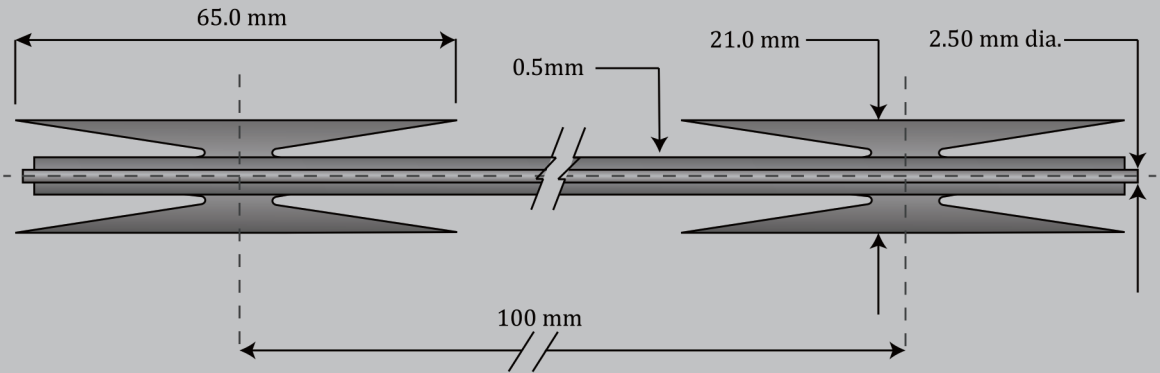


Blade Type	Barb Thickness	Barb Length	Barb Width	Barb Spacing	Core Wire Diameter
CBT-60	0.5 ± 0.05	60.0 ± 2	31 ± 1	100 ± 2	2.5 ± 0.1



## Long Blade (CBT-65)

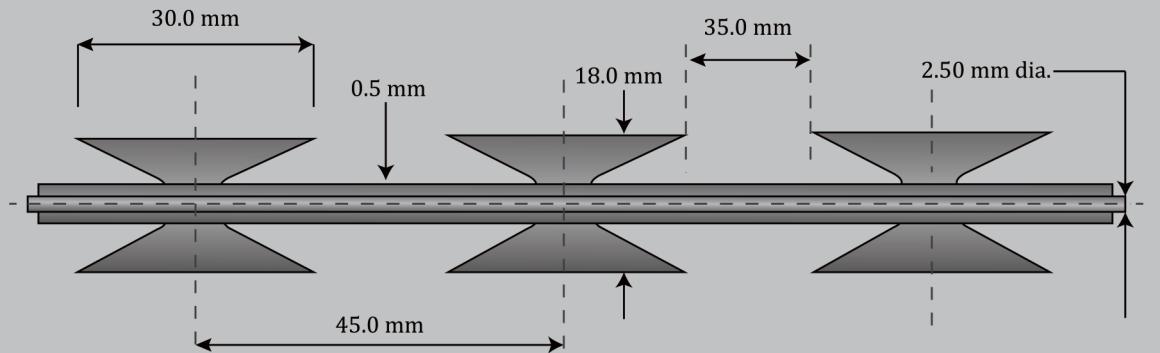
Razor wire long blade is a vicious product when manufactured of toughened stainless steel blade material. It is usually used for prison fencing. Extra long blade razors provide maximum frightening effect.



Blade Type	Barb Thickness	Barb Length	Barb Width	Barb Spacing	Core Wire Diameter
CBT-65	0.5 ± 0.05	65.0 ± 2	51 ± 1	100 ± 2	2.5 ± 0.1

## Tear Blade (BTO-30)

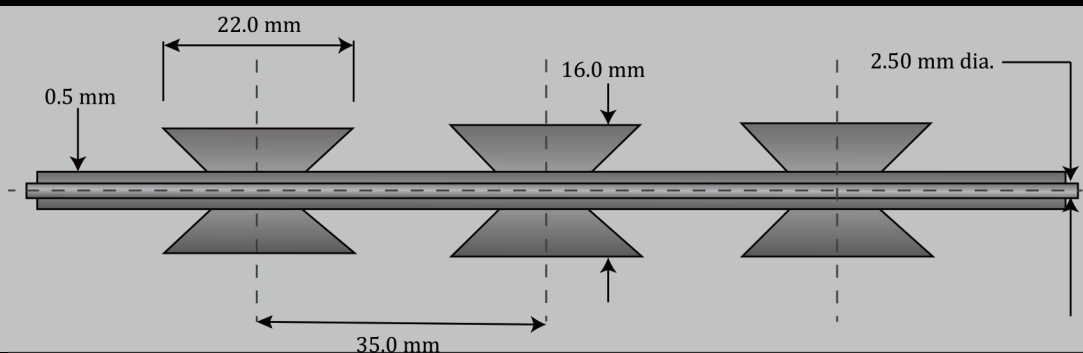
Tear blade is an hybrid of medium blade and long blade, more vicious than a medium blade and more economical than long blade.



Blade Type	Barb Thickness	Barb Length	Barb Width	Barb Spacing	Core Wire Diameter
BTO-30	0.5 ± 0.05	30.0 ± 1	18 ± 1	45 ± 2	2.5 ± 0.1

## Medium blade (BTO-22)

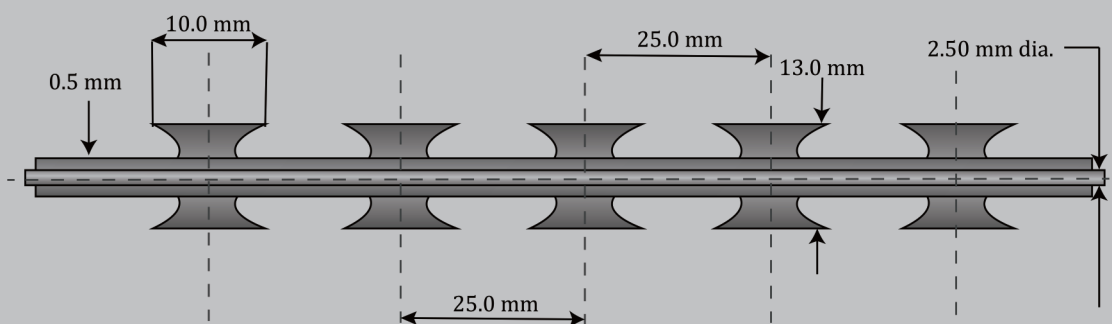
Concertina wire medium blade is an improvement on the short blade variety at a cost-effective price level. It is widely used for commercial and industrial applications. Medium blade concertina wire had a much sharper edge and quickly gained the reputation of being an extremely effective low cost security choice.



Blade Type	Barb Thickness	Barb Length	Barb Width	Barb Spacing	Core Wire Diameter
BTO-22	0.5 ± 0.05	22.0 ± 1	16 ± 1	35 ± 2	2.5 ± 0.1

## Short Blade (BTO-10)

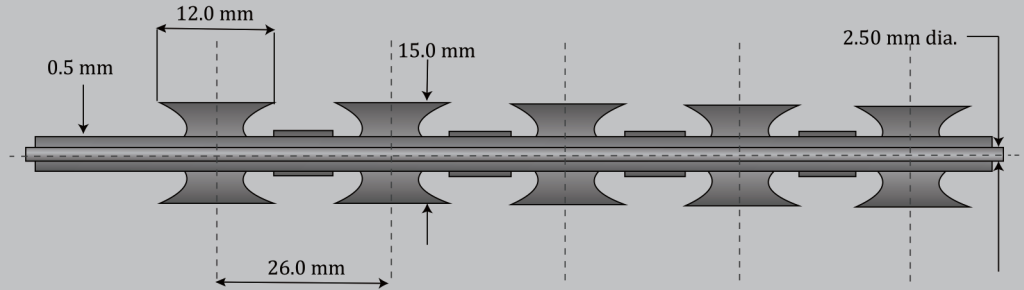
Short blade is the original profile of razor wire barbed tape, which is developed for military applications. Although mostly replaced by medium blade, it is still preferred by some organizations. It is the most economical type among all the barbed tapes.



Blade Type	Barb Thickness	Barb Length	Barb Width	Barb Spacing	Core Wire Diameter
BTO-10	0.5 ± 0.05	10.0 ± 1	13 ± 1	25 ± 2	2.5 ± 0.1

# Other Available Types

## BT0-12



**Barb Thickness**

$0.5 \pm 0.05$

**Barb Length**

$12.0 \pm 1$

**Barb Width**

$15 \pm 1$

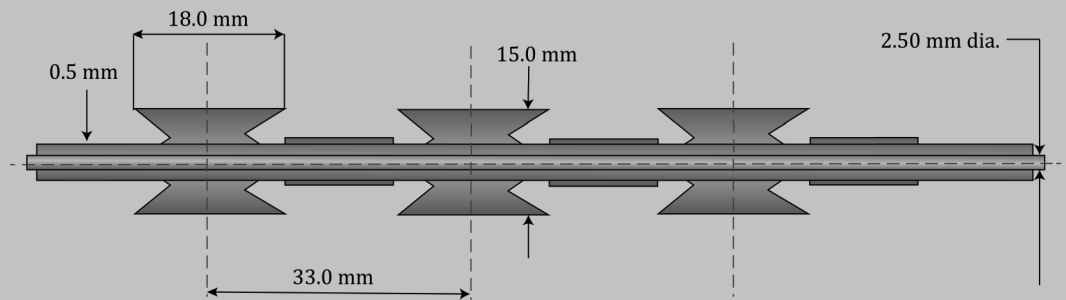
**Barb Spacing**

$26 \pm 1$

**Core Wire Diameter**

$2.5 \pm 0.1$

## BT0-18



**Barb Thickness**

$0.5 \pm 0.05$

**Barb Length**

$18.0 \pm 1$

**Barb Width**

$15 \pm 1$

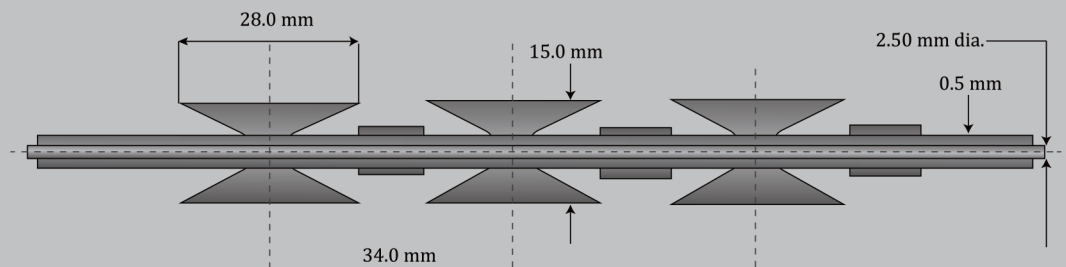
**Barb Spacing**

$33 \pm 1$

**Core Wire Diameter**

$2.5 \pm 0.1$

## BT0-28



**Barb Thickness**

$0.5 \pm 0.05$

**Barb Length**

$28.0 \pm 1$

**Barb Width**

$15 \pm 1$

**Barb Spacing**

$45 \pm 1$

**Core Wire Diameter**

$2.5 \pm 0.1$



WEIHAO

CONCERTINA RAZOR WIRE

# Coil Loop Specifications

Outer Diameter	Loops	Extended Length	Blade Type	Note
300 mm	33	4-6 m	CBT- 60, 65	Single coil
450 mm	33	7-8 m	CBT- 60, 65	Single coil
500 mm	56	12-13 m	CBT- 60, 65	Single coil
700 mm	56	13-14 m	CBT- 60, 65	Single coil
960 mm	56	14-15 m	CBT- 60, 65	Single coil
450 mm	56	8-9 m (3 clips)	BTO- 10, 12, 18, 22, 28, 30	Cross type
500 mm	56	9-10 m (3 clips)	BTO- 10, 12, 18, 22, 28, 30	Cross type
600 mm	56	10-11 m (3 clips)	BTO- 10, 12, 18, 22, 28, 30	Cross type
700 mm	56	10-12 m (5 clips)	BTO- 10, 12, 18, 22, 28, 30	Cross type
800 mm	56	11-13 m (5 clips)	BTO- 10, 12, 18, 22, 28, 30	Cross type
900 mm	56	12-14 m (5 clips)	BTO- 10, 12, 18, 22, 28, 30	Cross type
980 mm	56	14-16 m (5 clips)	BTO- 10, 12, 18, 22, 28, 30	Cross type



CONCERTINA RAZOR WIRE



# RAZOR WIRE





WEIHAO

CONCERTINA RAZOR WIRE

# RAZOR WIRE TYPES

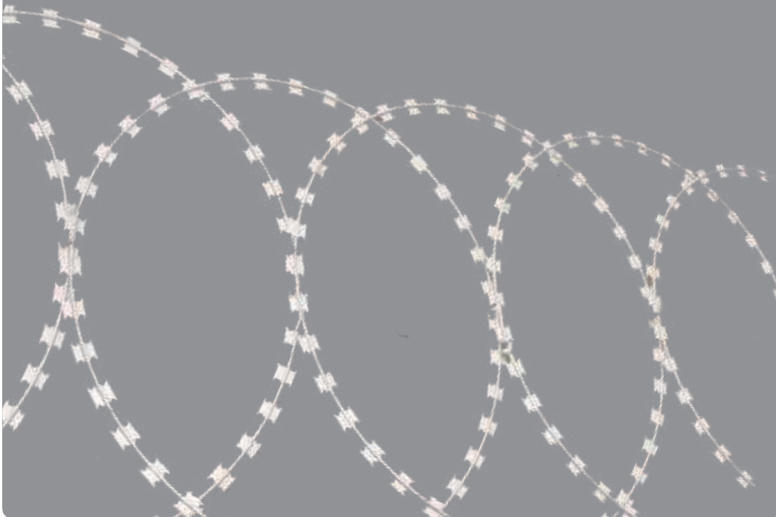
## Flat loop/Warp

**Flat loop concertina wire** consists of individual loops of barb tape.

Press the single coil razor wire into flat or press the two loops into flat and then expand them across.

Flat warp concertina wire can be attached directly onto the top of an existing fence or gate.

Flat loop concertina wire is ideal for use where topping needs to be flat against the fence without any overhang either side of the fence or boundary.



**Topping of 358 Security Fence**



**Fence Barrier of Roadside**



**Possible site:** industrial, private properties, council sites, government utility sites.

# RAZOR WIRE TYPES

## Concertina-Single Coil

**Wall Topping**



**Single coil concertina wire** features simple structure and economical cost. There's no clips on the coil loop, it can stretch longer than cross type concertina wires.

Single coil concertina wire is ideal for use where needs common security grade for ordinary security.

**Fence Topping**



**Possible site:** private properties, parking lot, garden.



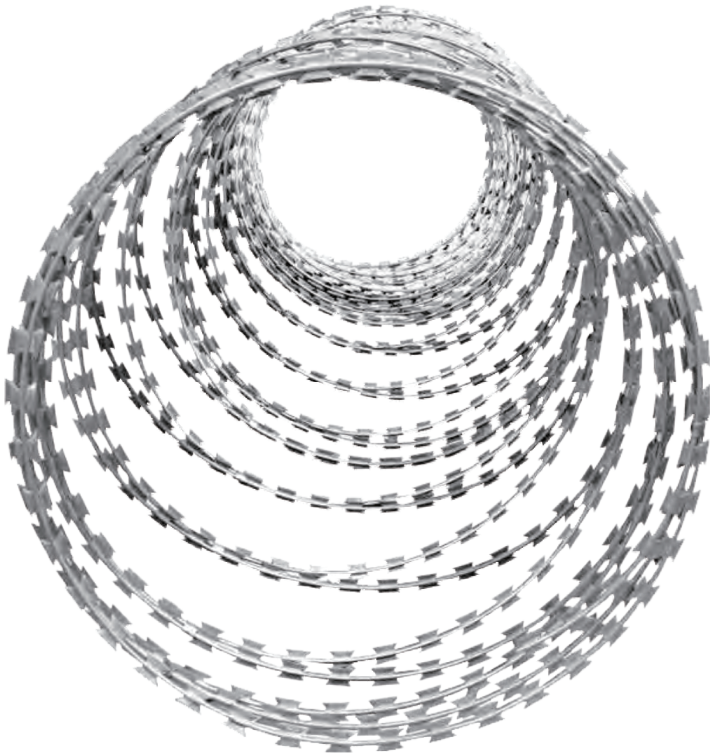
WEIHAO

CONCERTINA RAZOR WIRE

# RAZOR WIRE TYPES

## Concertina-Cross Type

**Cross type concertina razor wire** is the most widely used in all environments and sites to satisfy medium to highest grade of site security. It has 3 to 5 clips on every to neighbour coil loops, which increases the security grades of sites.



### Prison Protection



### Military Defense



**Possible site:** military site, governments, prison, commercial sites, private residences, school.



# RAZOR WIRE TYPES

## Welded Razor Mesh

**Razor Mesh on Fence Topping**



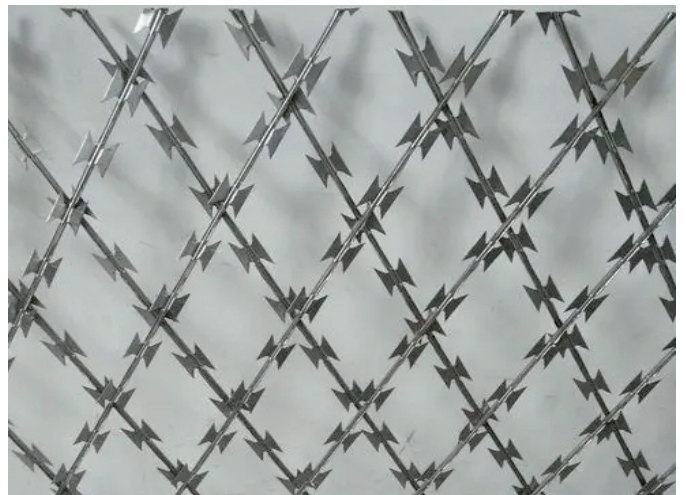
**Weld the straight line razor wires** into meshes with diamond or rectangular hole patterns.

It has simple but high security structure for both private and commercial applications.

Welded razor wire can be attached or welded onto the frame as security fence.

It can also be used as additional security measure for other security fences.

**Razor Mesh in Construction Sites**



**Possible site:** private residences, commercial sites, construction sites, power stations.



WEIHAO

CONCERTINA RAZOR WIRE

# RAZOR WIRE TYPES

## Straight Lines

**Straight line razor wire** is the simplest type of all razor wire. It is an alternative to barbed wires.

The sharp barbs and visual deterrent of straight line razor wire has higher security performance than barbed wire.

It need used combined with other fences as additional security tools.

It can also be installed on the wall topping to prevent intruders from entering.



**On Fence Topping**



**Roadside Separation**



**Possible site:** private residences, commercial sites, construction sites, power stations.

# RAZOR WIRE TYPES

## DOUBLE CONCERTINA

**Double concertina razor wire** is combined with two different coil diameter of razor wire with steel wires or steel ropes. It is the advancement of common concertina wires. It has the highest security grade among all types of razor wires.

It is suitable for use where need highest grade of security purpose.



**Possible site:** military site, governments, prison, commercial sites, private residences, school.



# Quality Test

**Core Wire Diameter Test**



**Barb Thickness Test**



**Barb Length Test**



**Barb Width Test**



**Barb Spacing Test**





WEIHAO

CONCERTINA RAZOR WIRE

# PACKAGE & LOADING



## BULK LOADING

It is only suitable for the concertina wire with same diameter. It can save lots of spaces and transport freights for customers.



## BUNDLE LOADING

It is especially suitable for the different coil diameter razor wire. It is also available for razor wire with same coil diameters.

# INSTALLATION

## Installation types

- Tie Wire.
- Barb Arm.
- Welding.

## Installation scene

Razor wire is commonly used individually as a fence or wall topping for site and border security.

### • Wall Topping

barb arm with flange fasten the razor wire on the brick or concrete wall. Sometimes, tie wire is also needed.

### • Security Fencing

Wed onto frames or attach onto posts as physical barriers.

### • Fencing Topping or Bottom

Use tie wire or barb arm fasting to prevent intruder climbing and crawling.

### • Ground

Deployment or tie wire form barrier and separation line.

### • Ship

Tie wire attachment to defend ship from pirate attacking.



WEIHAO

CONCERTINA RAZOR WIRE



Wall Topping



Security Fencing



Fence Topping & Bottom



Fence Topping, Center & Bottom



Single Barb Arm Installation



Double Barb Arm Installation



Ground - Farm Protection



Ship Guard

# COMBINATION WITH SECURITY FENCING

Barbed Tape can act as the additional barrier in conjunction with other security fencing system, such as chain link fencing, high security anti-climb 358 mesh fencing, palisade fencing and welded mesh fencing.

Concertina Wire & Chain Link Fence



Concertina Wire & Welded Mesh Fencing



Concertina Wire & 358 Security Fencing



Concertina Wire & Palisade Fencing







CONCERTINA RAZOR WIRE

# APPLICATIONS

- Prison.
- Ship.
- Factories & industrial sites
- Military installations
- Refineries
- Government buildings.
- Power stations.
- Airports.
- Temporary barriers.
- Police stations.
- Farmland.



Airport



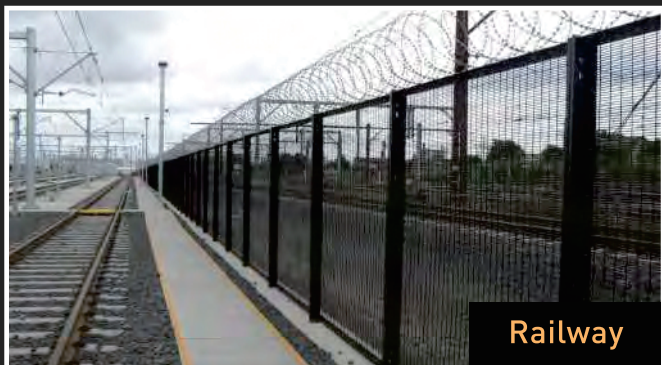
Residence



Seaside



Cargo Ship



Railway



Factory

**Anping County Weihao Metal Mesh Products Co., Ltd.**

**Mob.: +86 13731361119**

**Tel.: +86 3187661000**

**E-mail: [sales@metalwire.net](mailto:sales@metalwire.net)**

**WhatsApp: +86 13731361119**

**Skype: [weihaogroup](https://www.skype.com/people/weihaogroup)**

**Add.: North of V-18, Industrial Zone, Anping County.  
Hengshui, Hebei, China**



**WEIHAO**